

# Parts Catalogue

for model  
**ES 464**

- Use GLOBAL GARDEN PRODUCT Genuine Spare Parts specified in the parts list for repair and/or replacement.
- The contents described in the parts list may change due to improvement.
- The drawings of the spare parts are only indicative and might not represent the part in question exactly.
- The indications "right" - "left" - "front" - "rear" refer to the position of the operator when using the machine.
- When placing orders of parts for repair and/or replacement, make sure that the illustrated parts list is the one applying to the machine's year of manufacture, as shown on the identification plate attached to the machine.

© Copyright 2015 Global Garden Products

All content is subject to copyright by Global Garden Products and may not be reproduced in whole or in part by any means, electronic or otherwise, without prior written approval.

THIS INFORMATION IS NOT INTENDED FOR SALE OR RESALE, AND THIS NOTICE MUST REMAIN ON ALL COPIES.



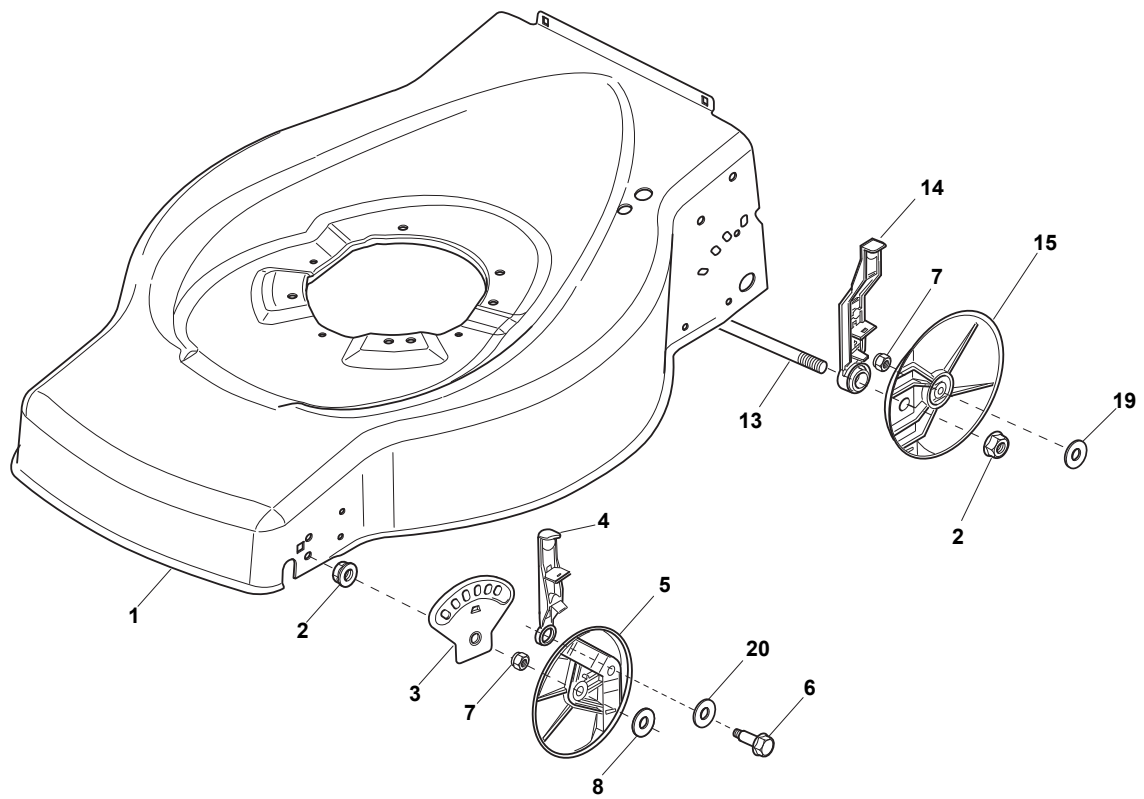


Fig.	Quantity	Part No	Description	Notes
1	1	381002538/0	Red Deck	
1	1	381004745/0	Grey Deck	
2	4	122131750/0	Nut	
3	2	322735557/0	Sector, Height Adjustment	
4	2	381003306/0	Lever, Height Adjustment	
5	2	322600170/0	Protection, Wheel	
6	2	122524324/0	Pin	
7	4	112155000/0	Nut	
8	2	325670011/0	Antifriction Washer	
13	1	122033364/0	Rear Stiffening Axle	
14	2	381003307/0	Lever, Height Adjustment	
15	2	322600098/0	Wheel	
19	2	325670011/0	Antifriction Washer	
20	2	112530150/0	Spring Washer	

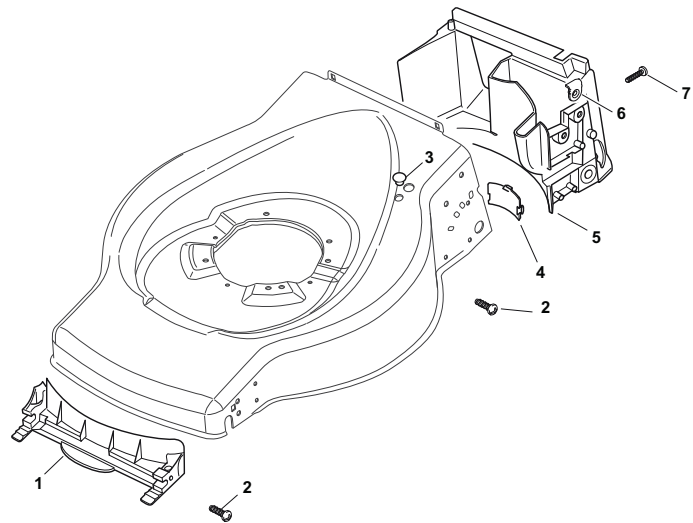


Fig.	Quantity	Part No	Description	Notes
1	1	322108271/0	Front Conveyor Assy	
2	6	112728686/0	Screw	
3	1	322820077/0	Cap	
4	1	322109532/0	Gear Box Cover	
5	1	322108272/2	Rear Conveyor Assy	
6	4	322545189/0	Plate	
7	2	112728686/0	Screw	

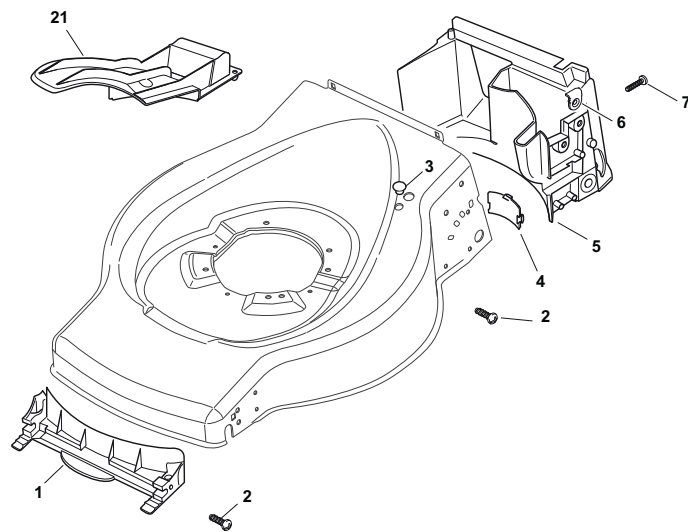


Fig.	Quantity	Part No	Description	Notes
1	1	322108271/0	Front Conveyor Assy	
2	6	112728686/0	Screw	
3	1	322820077/0	Cap	
4	1	322109532/0	Gear Box Cover	
5	1	322108272/2	Rear Conveyor Assy	
6	4	322545189/0	Plate	
7	2	112728686/0	Screw	
21	1	322140226/0	Deflector	

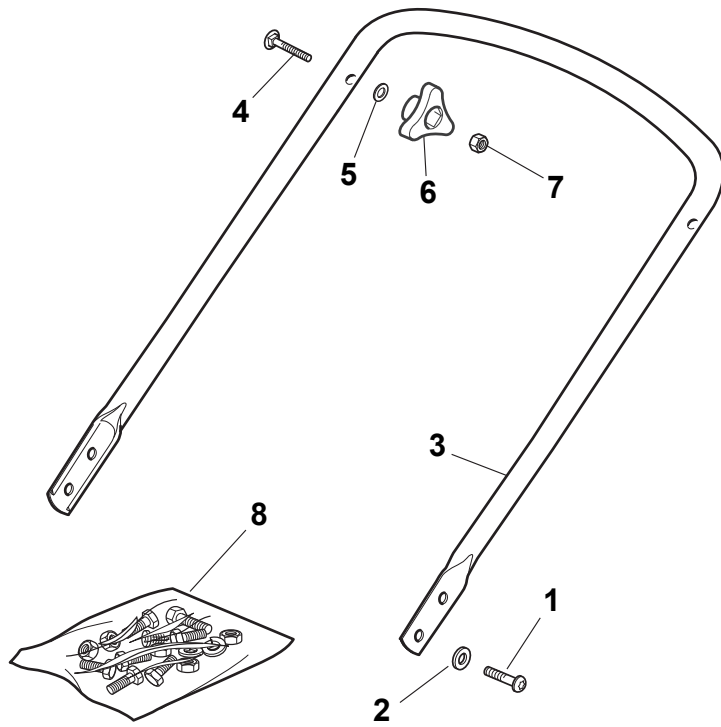




Fig.	Quantity	Part No	Description	Notes
1	4	112760605/0	Screw	
2	4	112521350/0	Washer	
3	1	381006570/0	Handle Lower Part	Black
3	1	381007544/0	Handle, Lower Part Yellow	Yellow
4	1	112819120/0	Screw	
5	2	122671651/0	Washer	
6	2	122399900/0	Knob	
7	2	112293200/0	Nut	
8	1	381008696/0	Outfit, Screws	

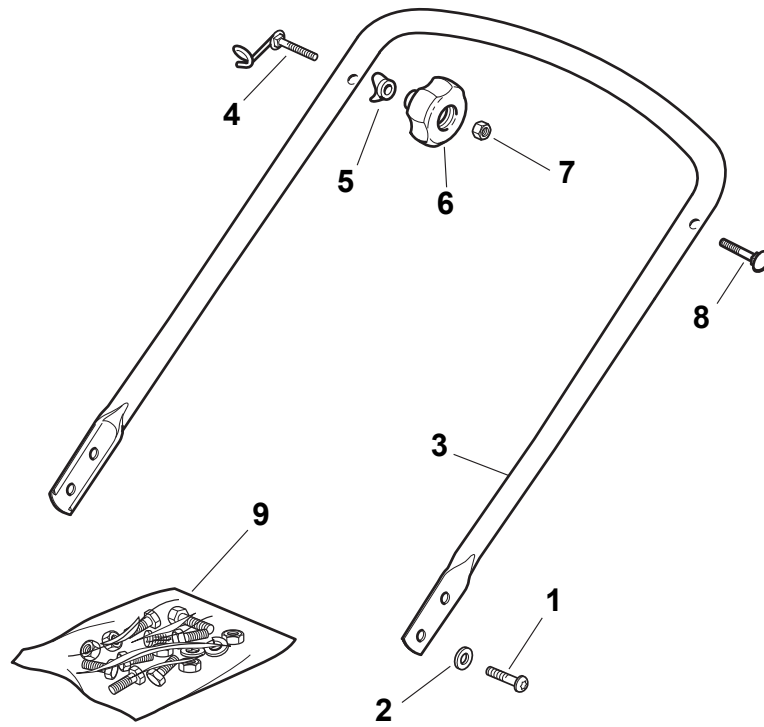


Fig.	Quantity	Part No	Description	Notes
1	4	112760605/0	Screw	
2	4	112521350/0	Washer	
3	1	381006570/0	Handle Lower Part	
4	1	181003801/1	Guide Spring	
5	2	122680006/1	Washer	
6	2	322399804/1	Nut	
7	2	112293200/0	Nut	
8	1	112819201/0	Screw	
9	1	381008648/1	Outfit, Screws	

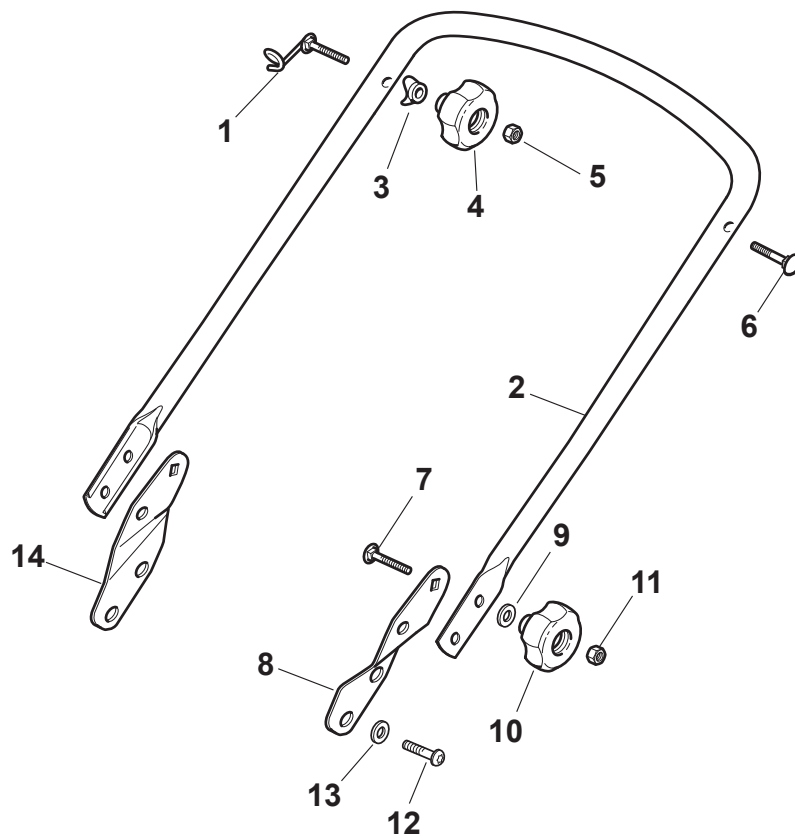


Fig.	Quantity	Part No	Description	Notes
1	1	181003801/1	Guide Spring	
2	1	381006576/0	Handle Lower Part	
3	2	122680006/1	Washer	
4	2	322399804/1	Nut	
5	2	112293200/0	Nut	
6	1	112819201/0	Screw	
7	2	112818900/0	Screw	
8	1	322778425/0	Left Bracket	
9	2	122671653/0	Washer	
10	2	322399804/1	Nut	
11	2	112293200/0	Nut	
12	4	112760605/0	Screw	
13	4	112521350/0	Washer	
14	1	322778423/0	Right Bracket	

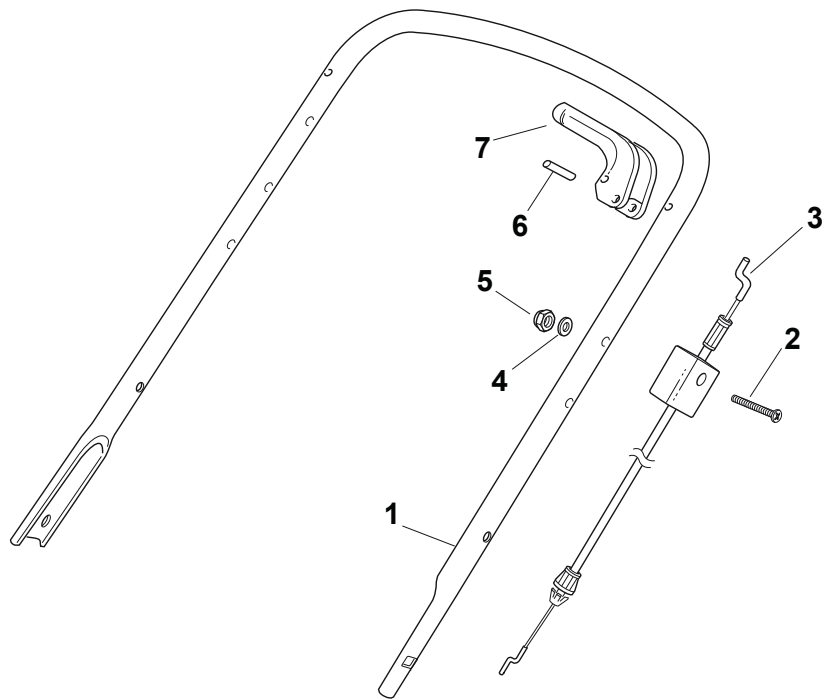


Fig.	Quantity	Part No	Description	Notes
1	1	381006577/0	Handle, Upper Part	
2	1	112674700/0	Screw	
3	1	181000612/0	Cable, Thread Engine Brake	SV40 / RV 40 / V35 Engine
3	1	181000617/0	Cable, Thread Engine Brake	B&S 625/675 Series
3	1	181000655/0	Cable, Thread Engine Brake	B&S 450-500 Series/Honda Engine
4	1	112521330/0	Washer	
5	1	112292100/0	Nut	
6	1	112645710/0	Elastic Pin	
7	1	322321700/1	Lever, Engine Brake Red	

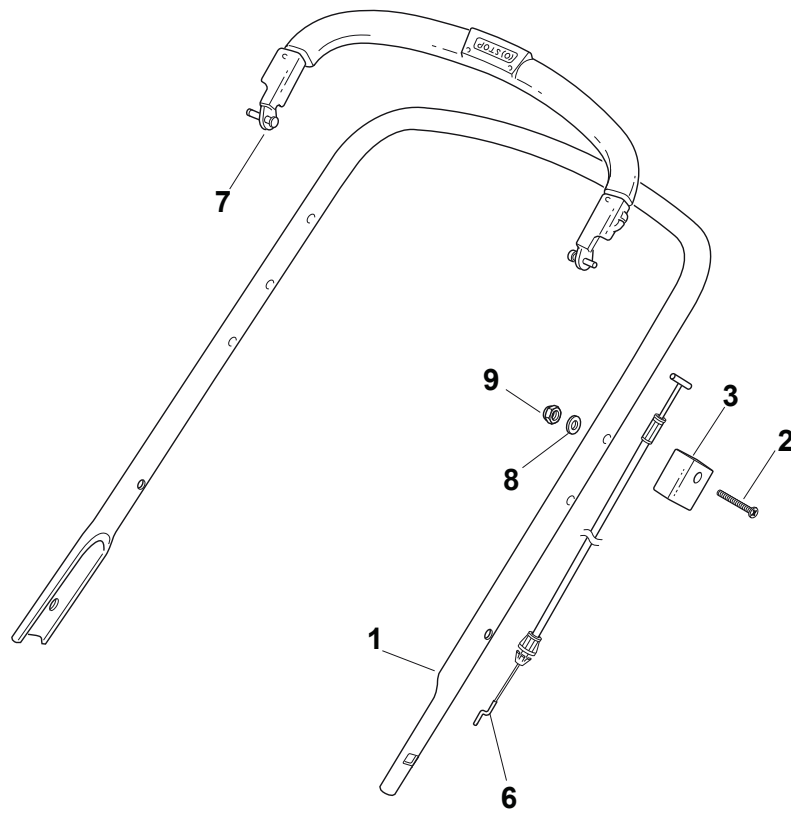




Fig.	Quantity	Part No	Description	Notes
1	1	381006579/1	Handle, Upper Part	
2	1	112689500/0	Screw	
3	1	322551640/0	Plate	
6	1	181000657/0	Cable, Thread Engine Brake	Honda Engine
6	1	181000720/1	Cable, Thread Engine Brake	B&S 625/675 Series
6	1	181030002/0	Cable, Thread Engine Brake	GGP 160cc Engine
6	1	381000743/0	Cable, Thread Engine Brake	SV40 / RV 40 / V35 Engine
6	1	181000657/0	Cable, Thread Engine Brake	B&S 450/500 Series
7	1	381003298/1	Lever, Engine Brake	
8	1	112521330/0	Washer	
9	1	112292100/0	Nut	

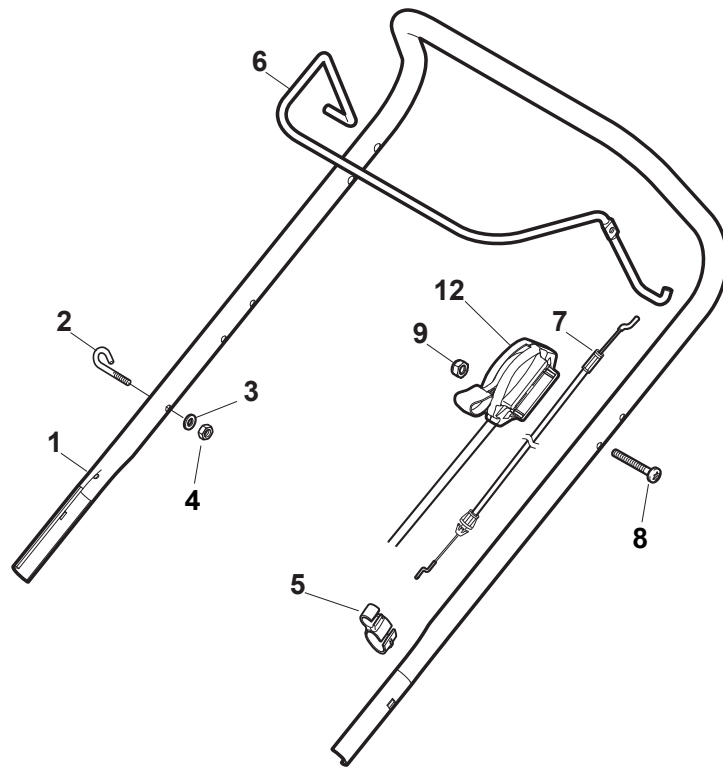


Fig.	Quantity	Part No	Description	Notes
1	1	381006739/0	Upper Handle	
1	1	381006745/0	Upper Handle lwith Rubber Cruiser Petrol	
2	1	122430313/0	Guide Spring	
3	1	112521330/0	Washer	
4	1	112154510/0	Nut	
5	1	118390020/0	Conduit Clip Caproeurope	
6	1	181003363/1	Lever, Engine Brake Black	Black
6	1	381003365/0	Lever, Engine Brake Yellow	Yellow
6	1	381003376/0	Lever, Engine Brake Red	Red
7	1	181030053/0	Cable, Thread Engine Brake	Honda / B&S Engine
7	1	181030087/0	Cable, Thread Engine Brake	GGP 100cc Engine
8	1	112727788/0	Screw	
9	1	112154510/0	Nut	
12	1	181005501/1	Throttle Cable	Honda Engine
12	1	181005502/1	Throttle Cable	B&S Engine
12	1	181005519/0	Throttle Cable	SV40 / RV 40 / V35 Engine

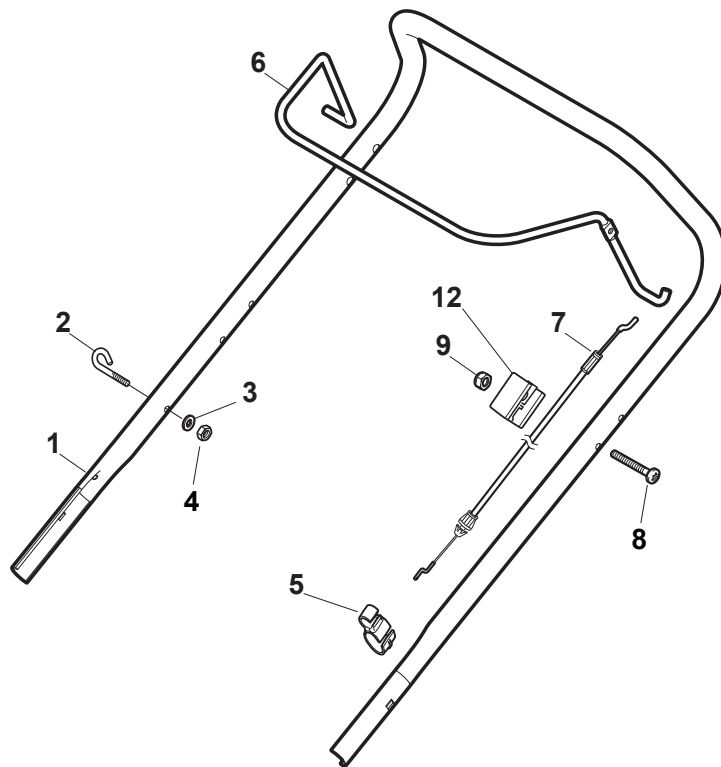


Fig.	Quantity	Part No	Description	Notes
1	1	381006739/0	Upper Handle	
1	1	381006745/0	Upper Handle lwith Rubber Cruiser Petrol	
2	1	122430313/0	Guide Spring	
3	1	112521330/0	Washer	
4	1	112154510/0	Nut	
5	1	118390020/0	Conduit Clip Caproeurope	
6	1	181003363/1	Lever, Engine Brake Black	Black
6	1	381003365/0	Lever, Engine Brake Yellow	Yellow
6	1	381003376/0	Lever, Engine Brake Red	Red
7	1	181030053/0	Cable, Thread Engine Brake	Honda / B&S Engine
7	1	181030087/0	Cable, Thread Engine Brake	GGP 100cc Engine
8	1	112727783/0	Screw	
9	1	112154510/0	Nut	
12	1	322551640/0	Plate	

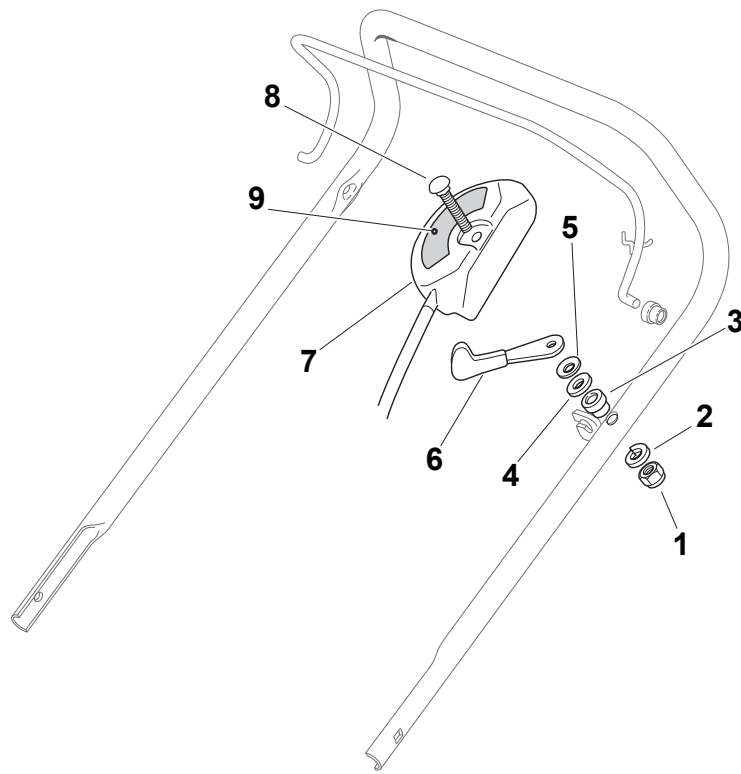


Fig.	Quantity	Part No	Description	Notes
1	1	112291000/0	Nut	
2	1	112581500/0	Grower	
3	1	122171005/0	Spacer	
4	1	112521360/0	Washer	
5	1	112508100/0	Cup Spring	
6	1	381007279/1	Throttle Lever	GGP/Honda/Tecumseh/B&S 625-675-675Es-700-750 Series
7	1	481007080/0	Throttle Cable	
8	1	112815000/0	Screw	

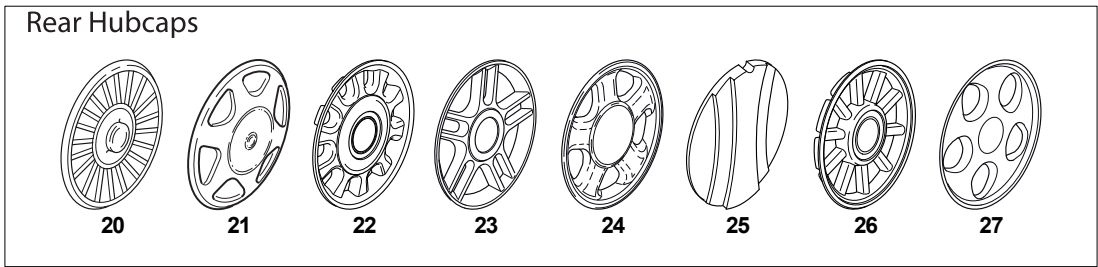
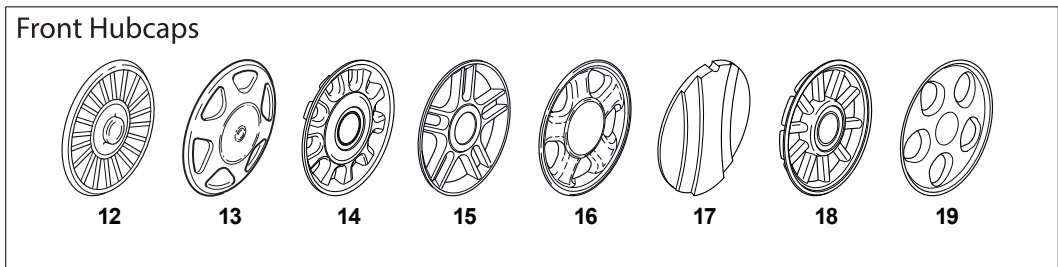
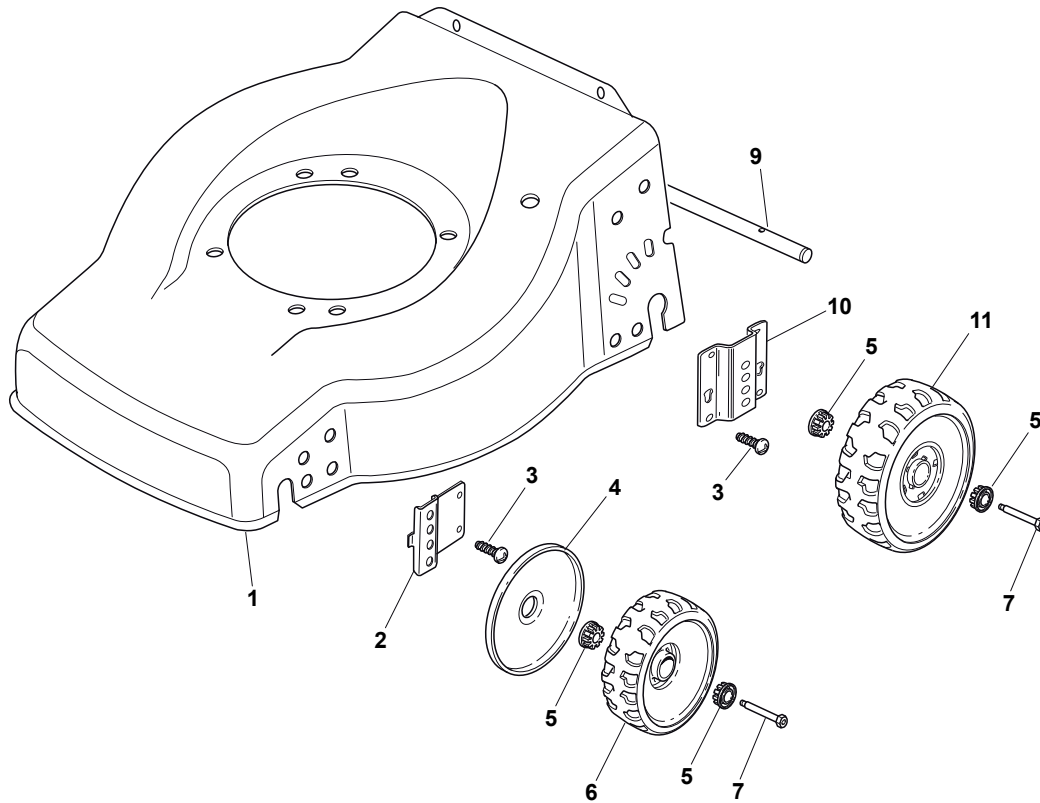
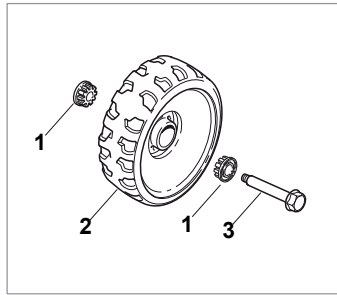


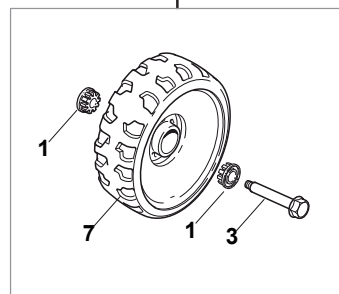
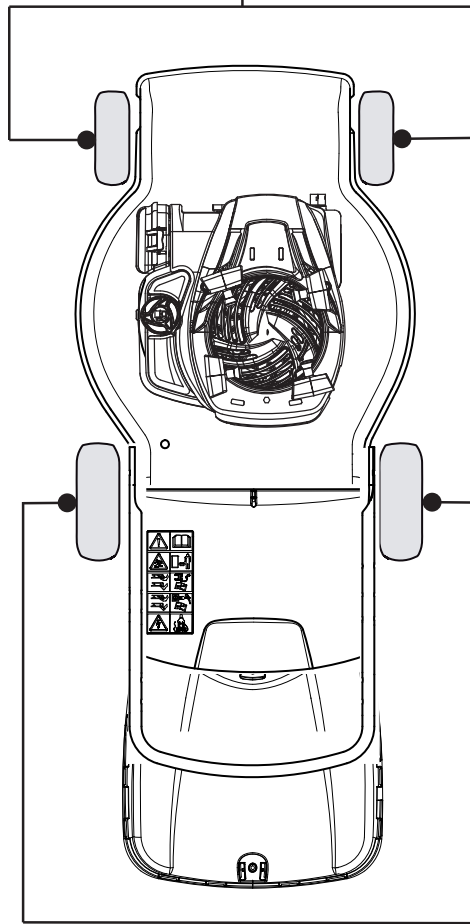
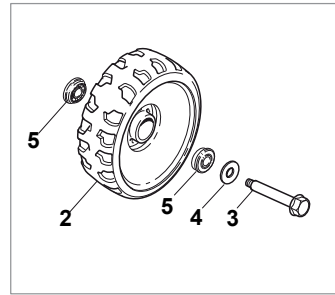


Fig.	Quantity	Part No	Description	Notes
1	1	381002652/0	Red Deck	
2	2	322551523/0	Front Plate	
3	4	112728686/0	Screw	
4	2	322600095/0	Protection, Wheel	
5	8	322034515/1	Bushing	
6	2	322686091/1	Wheel	
7	4	122524340/0	Pin	
8	2	322110320/1	Hub Cap White	
9	1	122033366/0	Rear Stiffening Axle	
10	2	322551525/0	Rear Plate	
11	2	322686092/0	Wheel	
12	2	322110347/0	Hub Cap Grey	
13	2	322110395/0	Hub Cap Grey	
14	2	322110493/0	Hub Cap Grey	
15	2	322110491/0	Hub Cap Grey	
16	2	322110381/0	Hub Cap Grey	
17	2	122110252/1	Hub Cap White	
17	2	122110254/1	Hub Cap Yellow	
17	2	122110255/1	Hub Cap Red	
18	2	322110495/0	Hub Cap Grey	
19	2	322110416/0	Hub Cap Grey	
20	2	322110348/0	Hub Cap Grey	
21	2	322110314/0	Hub Cap Grey	
22	2	322110494/0	Hub Cap Grey	
23	2	322110491/0	Hub Cap Grey	
24	2	322110382/0	Hub Cap Grey	
25	2	122110251/0	Hub Cap White	
25	2	122110253/0	Hub Cap Yellow	
25	2	122110256/0	Hub Cap Red	
26	2	322110496/0	Hub Cap Grey	
27	2	322110416/0	Hub Cap Grey	

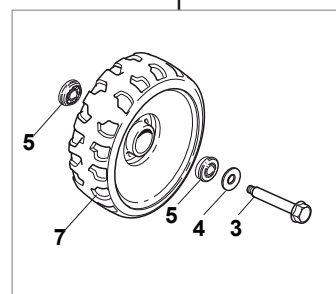
BUSHING Version - Ø 165



BALL BEARING Version - Ø 165



BUSHING Version - Ø 190



BALL BEARING Version - Ø 190

Fig.	Quantity	Part No	Description	Notes
1	8	122034508/0	Bushing	
2	4	322686091/1	Wheel	
3	4	122524341/0	Pin	
4	4	122675100/0	Washer	
5	8	122122200/0	Bearing	
7	4	322686092/0	Wheel	

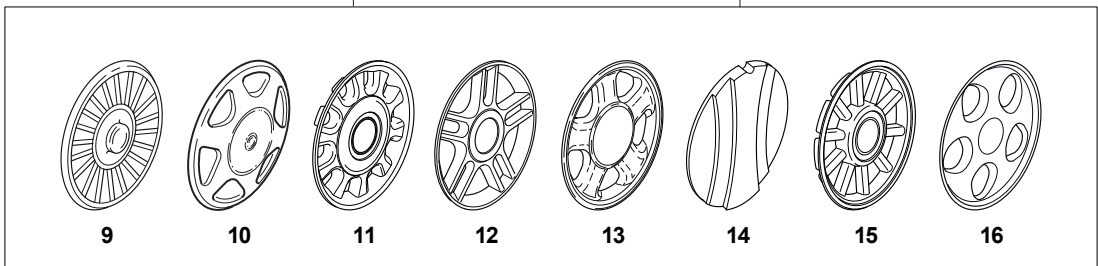
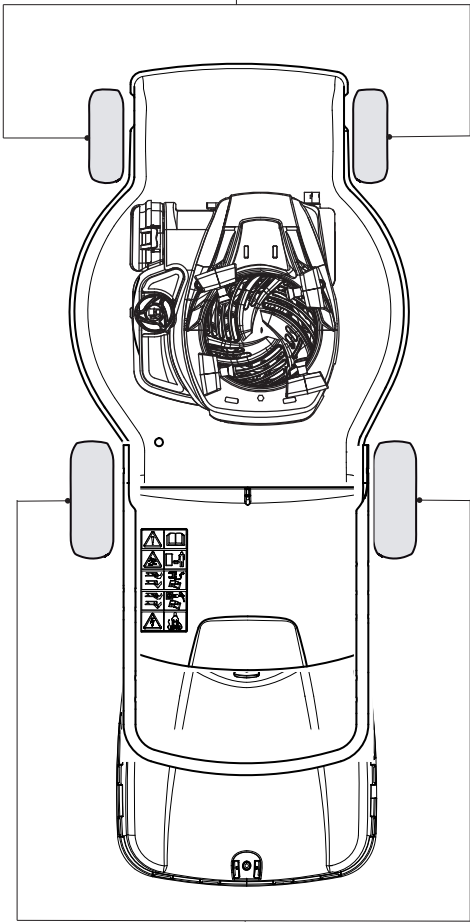
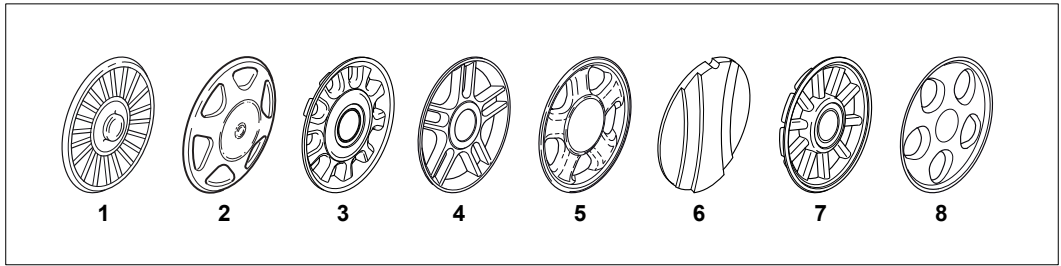


Fig.	Quantity	Part No	Description	Notes
1	2	322110347/0	Hub Cap Grey	
2	2	322110395/0	Hub Cap Grey	
3	2	322110493/0	Hub Cap Grey	
4	2	322110491/0	Hub Cap Grey	
5	2	322110381/0	Hub Cap Grey	
6	2	122110252/1	Hub Cap White	
6	2	122110254/1	Hub Cap Yellow	
6	2	122110255/1	Hub Cap Red	
7	2	322110495/0	Hub Cap Grey	
8	2	322110416/0	Hub Cap Grey	
9	2	322110348/0	Hub Cap Grey	
10	2	322110314/0	Hub Cap Grey	
11	2	322110494/0	Hub Cap Grey	
12	2	322110491/0	Hub Cap Grey	
13	2	322110382/0	Hub Cap Grey	
14	2	122110251/0	Hub Cap White	
14	2	122110253/0	Hub Cap Yellow	
14	2	122110256/0	Hub Cap Red	
15	2	322110496/0	Hub Cap Grey	
16	2	322110416/0	Hub Cap Grey	

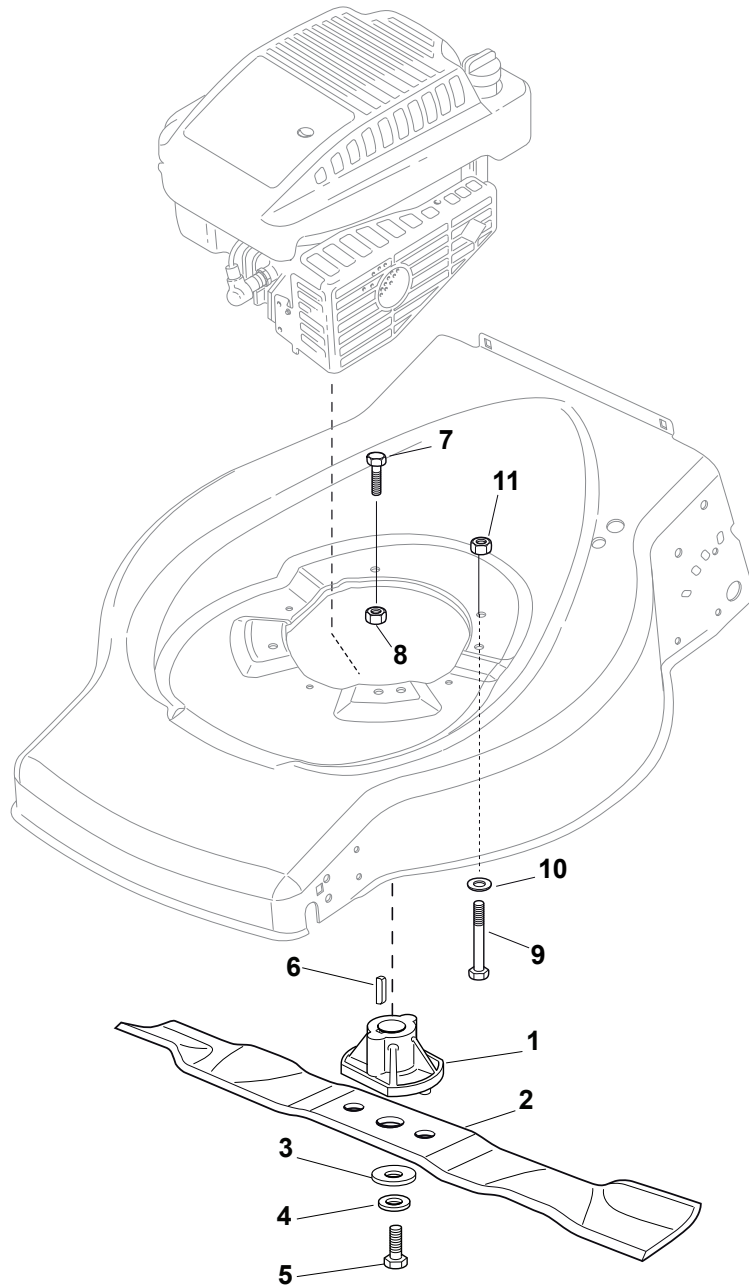


Fig.	Quantity	Part No	Description	Notes
1	1	122463012/2	Hub, Crankshaft Ø 22.2	for B&S and GGP Engines
1	1	122463020/1	Hub, Crankshaft Ø 25	for HONDA Engines
2	1	181004365/3	Mulching Blade	
3	1	122160400/0	Elastic Disc	
4	1	112523080/0	Washer	
5	1	112735698/0	Screw	
6	1	112139100/0	Feather, Crankshaft Ø 22,2	for B&S and GGP Engines
6	1	112139150/0	Feather, Crankshaft Ø 25	for HONDA Engines
7	2	112793701/0	Screw	
8	2	112293201/0	Nut	
9	1	112691800/0	Screw	
10	1	112521350/0	Washer	
11	1	112155000/0	Nut	

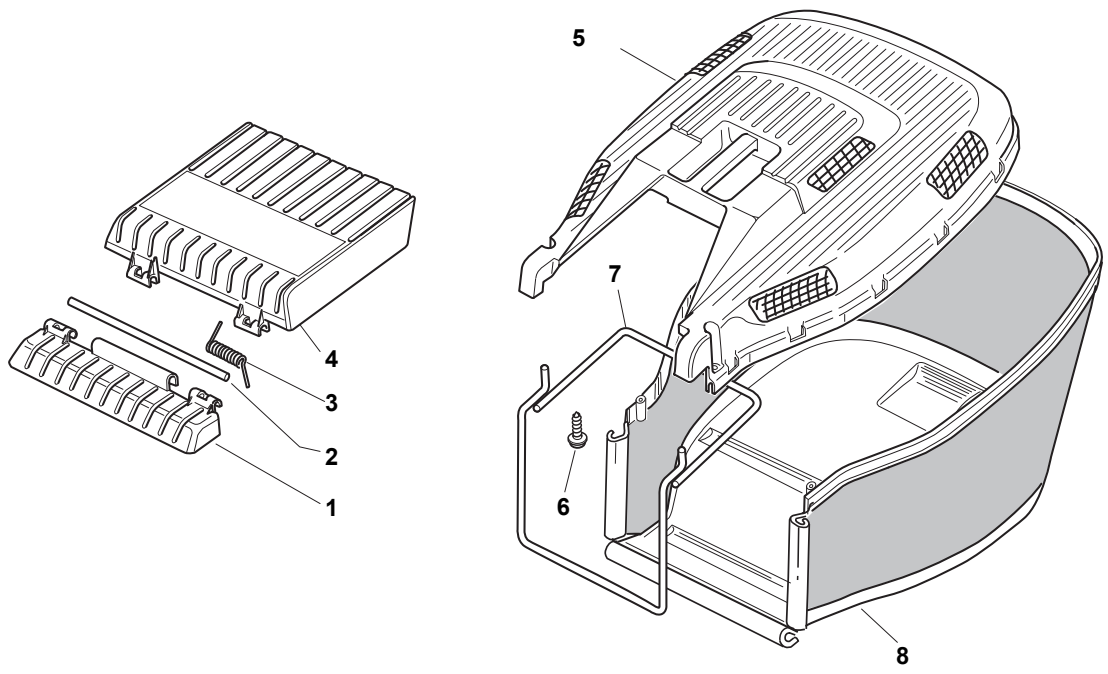




Fig.	Quantity	Part No	Description	Notes
4	1	322600100/2	Stone-Guard	Yellow
1	1	322486400/0	Stone Guard Support	
2	1	122517858/0	Pin	
3	1	122450431/0	Spring	
4	1	322600099/2	Stone-Guard	Black
5	1	322486122/0	Grasscatcher Upper Part Black	
6	2	112728686/0	Screw	
7	1	181006419/0	Grasscatcher Frame	
8	1	181002229/0	Box, Fabric	

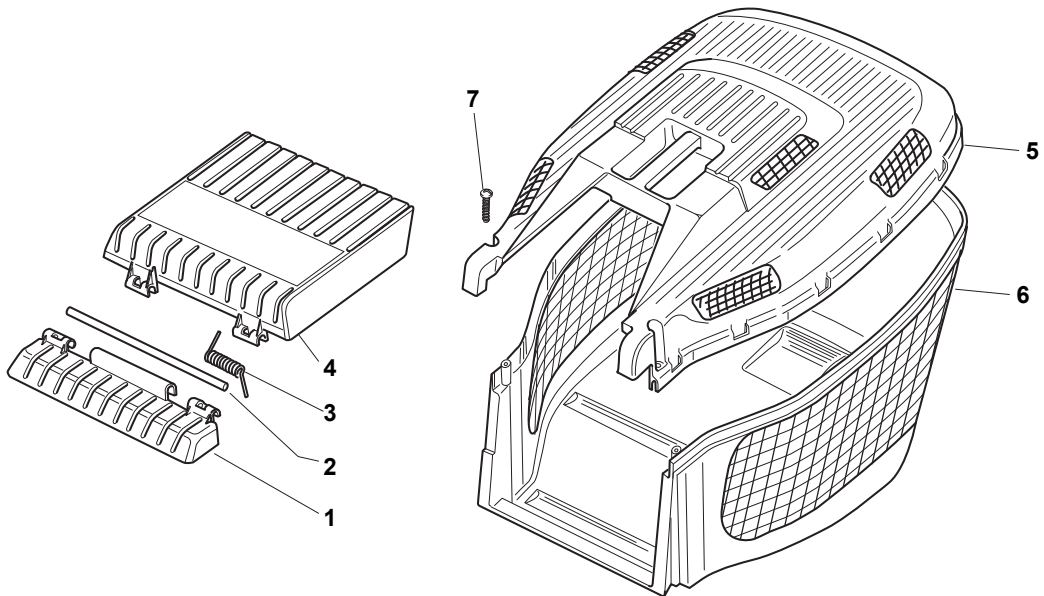


Fig.	Quantity	Part No	Description	Notes
4	1	322600100/2	Stone-Guard	Yellow
1	1	322486400/0	Stone Guard Support	
2	1	122517858/0	Pin	
3	1	122450431/0	Spring	
4	1	322600099/2	Stone-Guard	Black
5	1	322486122/0	Grasscatcher Upper Part Black	
6	1	322486128/0	Grassbox Lower Part	
7	2	112728686/0	Screw	

112139100/0	6	1	p. 31	122110255/1	17	2	p. 25	322110416/0	16	2	p. 29
112139150/0	6	1	p. 31	122110256/0	14	2	p. 29	322110416/0	19	2	p. 25
112154510/0	4	1	p. 19	122110256/0	25	2	p. 25	322110416/0	27	2	p. 25
112154510/0	4	1	p. 21	122122200/0	5	8	p. 27	322110491/0	4	2	p. 29
112154510/0	9	1	p. 19	122131750/0	2	4	p. 3	322110491/0	12	2	p. 29
112154510/0	9	1	p. 21	122160400/0	3	1	p. 31	322110491/0	15	2	p. 25
112155000/0	7	4	p. 3	122171005/0	3	1	p. 23	322110491/0	23	2	p. 25
112155000/0	11	1	p. 31	122399900/0	6	2	p. 9	322110493/0	3	2	p. 29
112291000/0	1	1	p. 23	122430313/0	2	1	p. 19	322110493/0	14	2	p. 25
112292100/0	5	1	p. 15	122430313/0	2	1	p. 21	322110494/0	11	2	p. 29
112292100/0	9	1	p. 17	122450431/0	3	1	p. 33	322110494/0	22	2	p. 25
112293200/0	5	2	p. 13	122450431/0	3	1	p. 35	322110495/0	7	2	p. 29
112293200/0	7	2	p. 9	122463012/2	1	1	p. 31	322110495/0	18	2	p. 25
112293200/0	7	2	p. 11	122463020/1	1	1	p. 31	322110496/0	15	2	p. 29
112293200/0	11	2	p. 13	122517858/0	2	1	p. 33	322110496/0	26	2	p. 25
112293201/0	8	2	p. 31	122517858/0	2	1	p. 35	322140226/0	21	1	p. 7
112508100/0	5	1	p. 23	122524324/0	6	2	p. 3	322321700/1	7	1	p. 15
112521330/0	3	1	p. 19	122524340/0	7	4	p. 25	322399804/1	4	2	p. 13
112521330/0	3	1	p. 21	122524341/0	3	4	p. 27	322399804/1	6	2	p. 11
112521330/0	4	1	p. 15	122671651/0	5	2	p. 9	322399804/1	10	2	p. 13
112521330/0	8	1	p. 17	122671653/0	9	2	p. 13	322486122/0	5	1	p. 33
112521350/0	2	4	p. 9	122675100/0	4	4	p. 27	322486122/0	5	1	p. 35
112521350/0	2	4	p. 11	122680006/1	3	2	p. 13	322486128/0	6	1	p. 35
112521350/0	10	1	p. 31	122680006/1	5	2	p. 11	322486400/0	1	1	p. 33
112521350/0	13	4	p. 13	181000612/0	3	1	p. 15	322486400/0	1	1	p. 35
112521360/0	4	1	p. 23	181000617/0	3	1	p. 15	322545189/0	6	4	p. 5
112523080/0	4	1	p. 31	181000655/0	3	1	p. 15	322545189/0	6	4	p. 7
112530150/0	20	2	p. 3	181000657/0	6	1	p. 17	322551523/0	2	2	p. 25
112581500/0	2	1	p. 23	181000657/0	6	1	p. 17	322551525/0	10	2	p. 25
112645710/0	6	1	p. 15	181000720/1	6	1	p. 17	322551640/0	3	1	p. 17
112674700/0	2	1	p. 15	181002229/0	8	1	p. 33	322551640/0	12	1	p. 21
112689500/0	2	1	p. 17	181003363/1	6	1	p. 19	322600095/0	4	2	p. 25
112691800/0	9	1	p. 31	181003363/1	6	1	p. 21	322600098/0	15	2	p. 3
112727783/0	8	1	p. 21	181003801/1	1	1	p. 13	322600099/2	4	1	p. 33
112727788/0	8	1	p. 19	181003801/1	4	1	p. 11	322600099/2	4	1	p. 35
112728686/0	2	6	p. 5	181004365/3	2	1	p. 31	322600100/2	4	1	p. 33
112728686/0	2	6	p. 7	181005501/1	12	1	p. 19	322600100/2	4	1	p. 35
112728686/0	3	4	p. 25	181005502/1	12	1	p. 19	322600170/0	5	2	p. 3
112728686/0	6	2	p. 33	181005519/0	12	1	p. 19	322686091/1	2	4	p. 27
112728686/0	7	2	p. 5	181006419/0	7	1	p. 33	322686091/1	6	2	p. 25
112728686/0	7	2	p. 7	181030002/0	6	1	p. 17	322686092/0	7	4	p. 27
112728686/0	7	2	p. 35	181030053/0	7	1	p. 19	322686092/0	11	2	p. 25
112735698/0	5	1	p. 31	181030053/0	7	1	p. 21	322735557/0	3	2	p. 3
112760605/0	1	4	p. 9	181030087/0	7	1	p. 19	322778423/0	14	1	p. 13
112760605/0	1	4	p. 11	181030087/0	7	1	p. 21	322778425/0	8	1	p. 13
112760605/0	12	4	p. 13	322034515/1	5	8	p. 25	322820077/0	3	1	p. 5
112793701/0	7	2	p. 31	322108271/0	1	1	p. 5	322820077/0	3	1	p. 7
112815000/0	8	1	p. 23	322108271/0	1	1	p. 7	325670011/0	8	2	p. 3
112818900/0	7	2	p. 13	322108272/2	5	1	p. 5	325670011/0	19	2	p. 3
112819120/0	4	1	p. 9	322108272/2	5	1	p. 7	381000743/0	6	1	p. 17
112819201/0	6	1	p. 13	322109532/0	4	1	p. 5	381002538/0	1	1	p. 3
112819201/0	8	1	p. 11	322109532/0	4	1	p. 7	381002652/0	1	1	p. 25
118390020/0	5	1	p. 19	322110314/0	10	2	p. 29	381003298/1	7	1	p. 17
118390020/0	5	1	p. 21	322110314/0	21	2	p. 25	381003306/0	4	2	p. 3
122033364/0	13	1	p. 3	322110320/1	8	2	p. 25	381003307/0	14	2	p. 3
122033366/0	9	1	p. 25	322110347/0	1	2	p. 29	381003365/0	6	1	p. 19
122034508/0	1	8	p. 27	322110347/0	12	2	p. 25	381003365/0	6	1	p. 21
122110251/0	14	2	p. 29	322110348/0	9	2	p. 29	381003376/0	6	1	p. 19
122110251/0	25	2	p. 25	322110348/0	20	2	p. 25	381003376/0	6	1	p. 21
122110252/1	6	2	p. 29	322110381/0	5	2	p. 29	381004745/0	1	1	p. 3
122110252/1	17	2	p. 25	322110381/0	16	2	p. 25	381006570/0	3	1	p. 9
122110253/0	14	2	p. 29	322110382/0	13	2	p. 29	381006570/0	3	1	p. 11
122110253/0	25	2	p. 25	322110382/0	24	2	p. 25	381006576/0	2	1	p. 13
122110254/1	6	2	p. 29	322110395/0	2	2	p. 29	381006577/0	1	1	p. 15
122110254/1	17	2	p. 25	322110395/0	13	2	p. 25	381006579/1	1	1	p. 17
122110255/1	6	2	p. 29	322110416/0	8	2	p. 29	381006739/0	1	1	p. 19

381006739/0	1	1	p. 21
381006745/0	1	1	p. 19
381006745/0	1	1	p. 21
381007279/1	6	1	p. 23
381007544/0	3	1	p. 9
381008648/1	9	1	p. 11
381008696/0	8	1	p. 9
481007080/0	7	1	p. 23